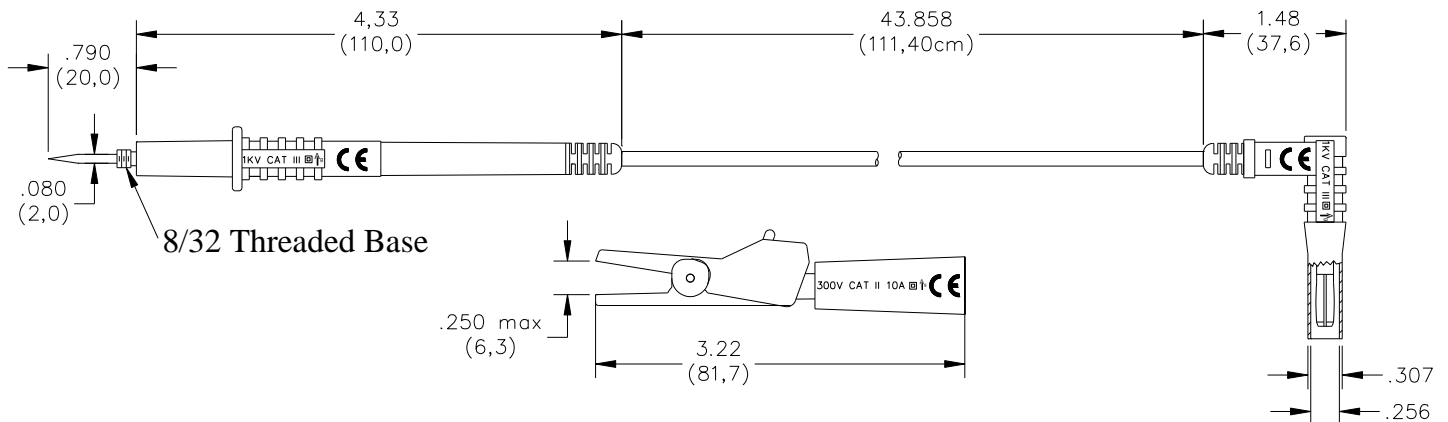


Pomona®

Model 6723 Test Lead Kit with 8/32 Threaded Probe Tip



Features:

- ✓ Test probe has a Stainless Steel sharp tip with 8/32 threaded base.
- ✓ Alligator clip screws onto probe tip, eliminating accidental test probe and alligator clip separation.
- ✓ Test leads fit all standard DMM with safety style banana jacks.
- ✓ Complies to International Safety Standard IEC 1010-2-031

Materials:

Probe Tip:	Stainless Steel, Sharp Tip
Banana Plug:	Nickel Plated Beryllium Copper
Alligator contacts:	Nickel Plated Steel
Spring:	Steel
Probe and Banana Insulation:	Triax (Alloy, Nylon, ABS)
Alligator Insulation:	Nylon 6
Wire:	Silicone

Ratings:

Test Probe:	1000 Vrms, CAT III, 20 A IEC 1010-2-031
Alligator Clip:	300 Vrms, CAT II, 10 A IEC 1010-2-031
Temperature:	-10 to +55 C

Ordering Information:

6720

Kit includes: A set of red and black test leads.
A set of red and black medium alligator test clips.

Replacement Alligator Clips:

Model: 6726

All dimensions are in inches. Tolerances (except noted): .xx = ±.02" (.51 mm), .xxx = ±.005" (.127 mm).

All specifications are to the latest revisions. Specifications are subject to change without notice.

Registered trademarks are the property of their respective companies. Made in USA

Pomona®

Model 6723 Test Lead Kit with 8/32 Threaded Probe Tip

Pomona®

The items included with this product are certified to meet IEC 1010-2-031 safety requirements.

Les éléments inclus avec ce produit sont certifiés pour répondre à des exigences de sûreté du IEC 1010-2-031.

Los items incluidos con este producto se certifican para resolver requisitos de seguridad del IEC 1010-2-031.

– Only IEC 1010 type shrouded test plugs should be used with IEC 1010 type jacks. NEVER INSERT A PROBE TIP WITH BANANA SPRING INTO A TEST ACCESSORY JACK THAT WILL BE USED AS A HAND HELD PROBING DEVICE

–Seuls les vérificateurs de tension renforcés de type IEC 1010 devraient être utilisés avec des jacks de type IEC 1010. NE JAMAIS INSERER DE BOUT DE SONDE AVEC RESSORT BANANE DANS UN JACK D'ESSAI D'ACCESSOIRES QUI SERA UTILISE COMME DISPOSITIF DE SONDAGE A MAIN.

–Se deben usar sólo tapones de prueba reforzados del tipo IEC 1010 con receptáculos de tipo IEC 1010. NUNCA INTRODUZCA UNA CLAVIJA CON UN MUELLE TIPO BANANA EN UN RECEPTACULO DE PRUEBA QUE A SU VEZ SE USE COMO APARATO DE PRUEBA MANUAL.

IR

Both Direct and Alternating Current.
Courant Continu et Alternatif.
Corriente Directa y Alterna.



Caution ! Refer to Accompanying Documents.
Attention ! Se Reporter aux Documents joints.
; Peligro! Consulte los Documentos Adjuntos.



Double Insulation or Reinforced Insulation.
Isolation Double ou Isolation Renforcée.
Aislamiento Doble o Aislamiento Reforzado.



Caution ! Risk of Electric Shock.
Attention ! Risque de Choc Électrique.
; Peligro! Riesgo de Sacudida Eléctrica.

CAT

Overtension Category I, II, III or IV.
Surtension Catégorie I, II, III ou IV.
Sobretensión de Categoría I, II III o IV.

Pomona Electronics 

PO Box 9090, Everett, WA 98206-9090 TEL: 800-490-2361

All dimensions are in inches. Tolerances (except noted): .xx = ±.02" (.51 mm), .xxx = ±.005" (.127 mm).

All specifications are to the latest revisions. Specifications are subject to change without notice.

Registered trademarks are the property of their respective companies. Made in USA

Sales: 800-490-2361 Fax: 888-403-3360 Technical Assistance: 800-241-2060
For "Where to Buy" information, visit the Pomona web site at www.pomonaelectronics.com