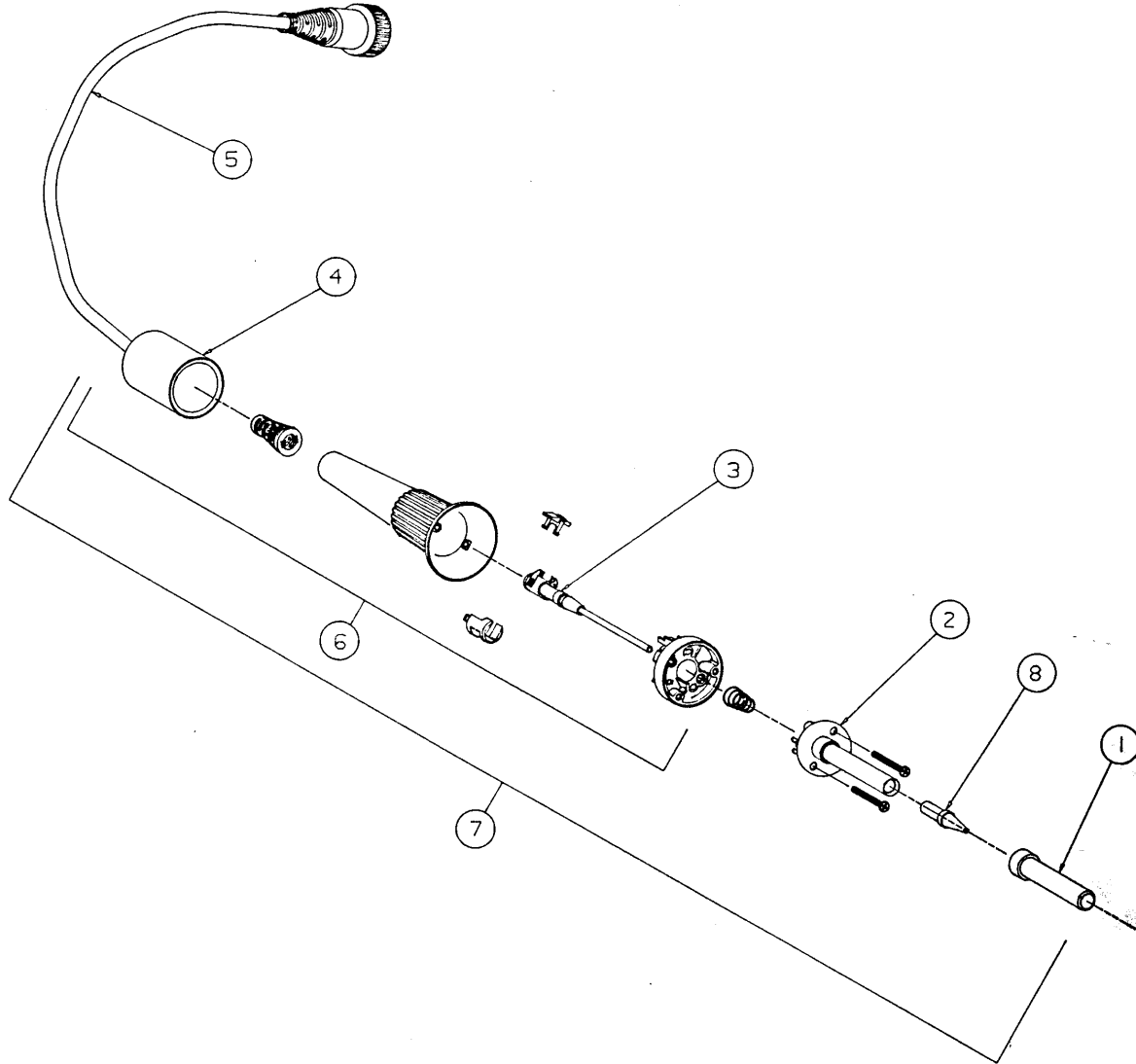


EC1201A/P/PESD

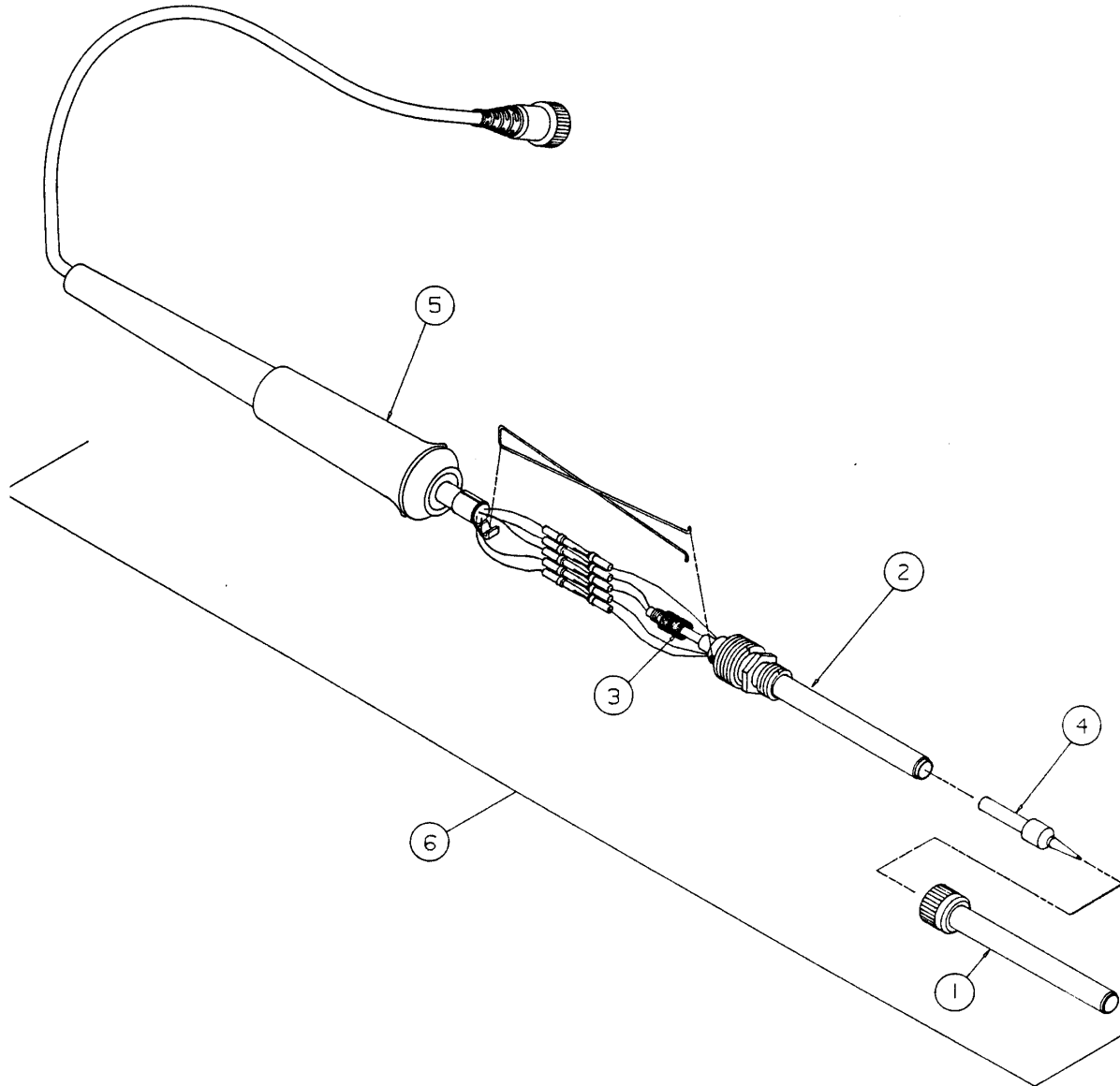
40 Watt Soldering Tool ORDER ONLINE - [CLICK HERE](#)



| ITEM NO. | PART NO. | DESCRIPTION | ITEM NO. | PART NO. | DESCRIPTION |
|----------|----------|---------------------------------------|----------|----------|-------------|
| 1 | BA60 | Barrel/ Nut Assembly | | | |
| 2 | EC234 | Heater Assembly | | | |
| 3 | EC229A | Sensor Assembly W/ Spring | | | |
| 4 | SHA1 | Cushion Grip Sleeve | | | |
| 5 | EC233 | Cord Assembly | | | |
| 6 | EC258 | Handle Assembly (W/O Sensor & Heater) | | | |
| 7 | EC1201A | Iron Assembly W/ ETA Tip | | | |
| 8 | ETA | 1/16" Screwdriver Tip | | | |

EC1301R

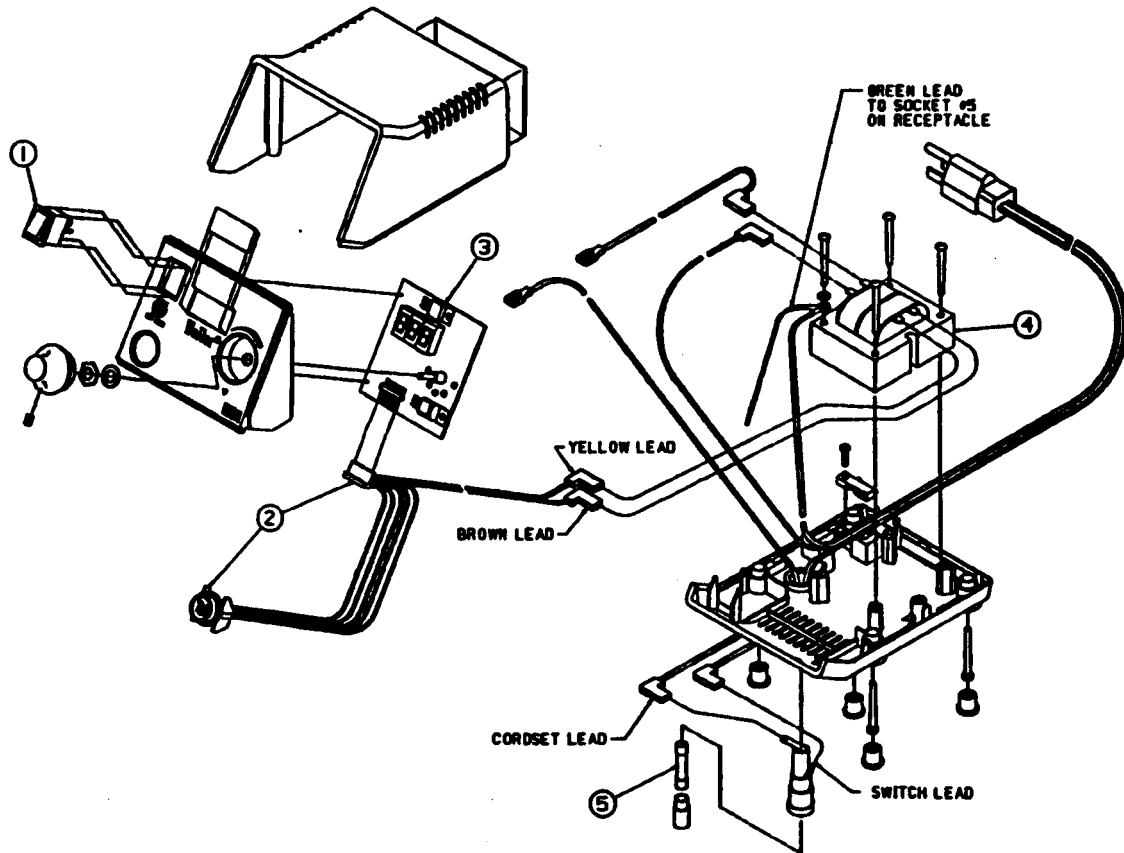
20 Watt Soldering Tool



| ITEM NO. | PART NO. | DESCRIPTION | ITEM NO. | PART NO. | DESCRIPTION |
|----------|----------|-----------------------------|----------|----------|-------------|
| 1 | EC231 | Barrel/ Nut Assembly | | | |
| 2 | EC259 | Heater Assembly | | | |
| 3 | EC260 | Sensor Assembly W/ Spring | | | |
| 4 | EPH101 | 1/64" Micropoint Tip | | | |
| 5 | EC261 | Cord/ Handle Assembly | | | |
| 6 | EC1301R | Iron Assembly W/ EPH101 Tip | | | |

EC2002M-0

Microprocessor Controlled Digital Soldering System



| ITEM NO. | PART NO. | DESCRIPTION | ITEM NO. | PART NO. | DESCRIPTION |
|----------|----------|---------------------------------------|----------|----------|-------------------------|
| 1 | SW110 | Power Switch | * | EC1302AP | EC1302A Toll With Stand |
| 2 | EC270 | Receptacle and Wire Harness | * | EC1503AP | EC1503A Tool With Stand |
| 3 | EC269 | Circuit Board Assembly | * | WCM1 | Calibration Unit |
| 4 | TR234 | Power Transformer, 120Vac, EC2002M-0 | | | |
| * | TR235 | Power Transformer, 240Vac, EC2002M-0D | | | |
| 5 | FP3 | Fuse, .6 AMP SB | | | |
| * | TC205 | Sponge | | | |
| * | TC204 | Spring and Funnel for EC1201A Tool | | | |
| * | IHF225EC | Spring and Funnel for EC1302A Tool | | | |
| * | EC254 | Spring and Funnel for EC1503A Tool | | | |
| * | EC1201AP | EC1201A Tool With Stand | | | |

* not shown