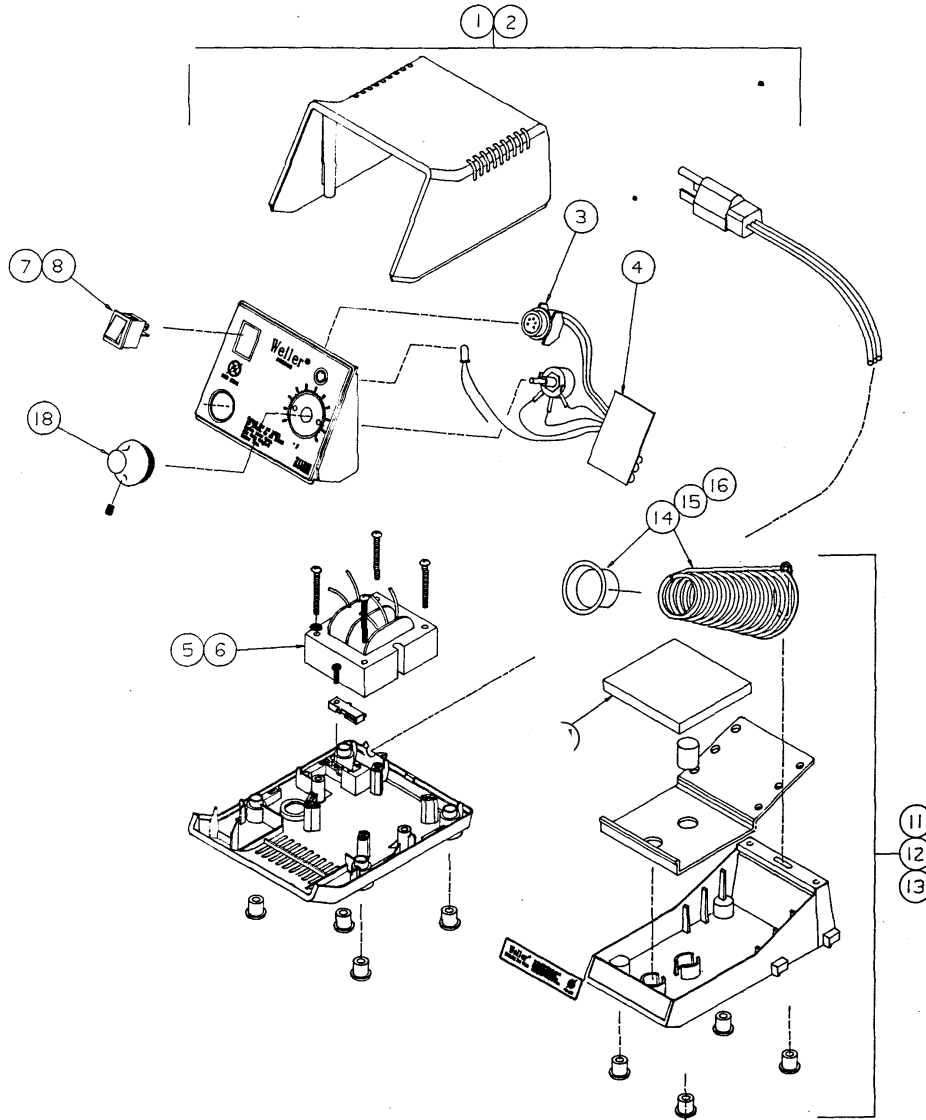


# EC1002-0

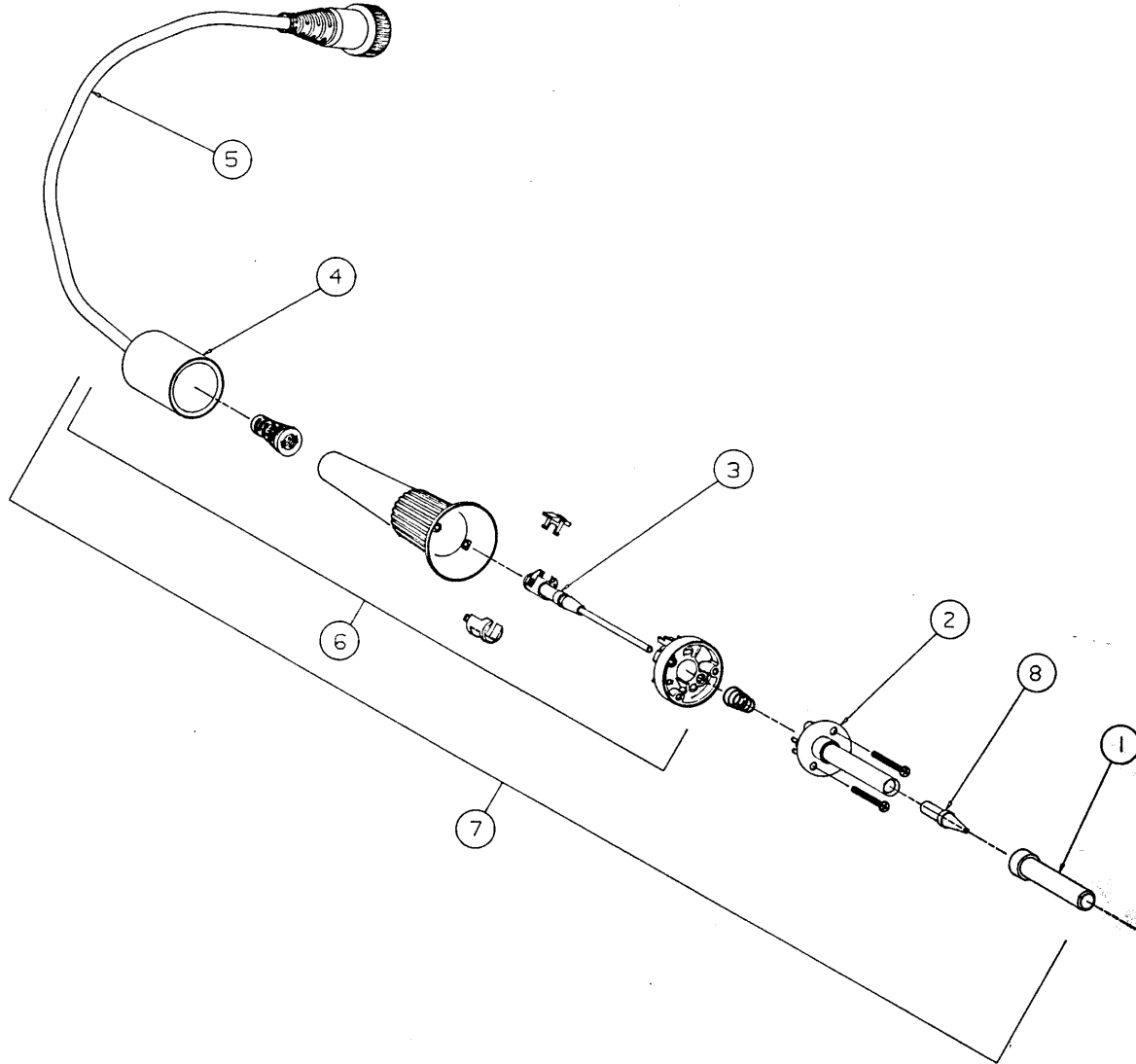
Order Online @ [Action-Electronics.com](http://Action-Electronics.com) [CLICK HERE](#)



ITEM NO.	PART NO.	DESCRIPTION	ITEM NO.	PART NO.	DESCRIPTION
1	EC1002-0	Power Unit F 120 Vac W/O Iron & Stand	11	PH1201ESD	Iron Stand Assembly (EC1201A Iron)
2	EC1002-OD	Power Unit C 240 Vac W/O Iron & Stand	12	PH1301ESD	Iron Stand Assembly (EC1302A Iron)
3	EC213	Receptacle Kit	13	PH1503	Iron Stand Assembly (EC1503A Iron)
4	EC239	Control Board	14	TC204	Spring & Funnel Assembly (EC1201A Iron)
5	TR215	Transformer 120 Vac	15	IHF225EC	Spring & Funnel Assembly (EC1302A Iron)
6	TR216	Transformer 240 Vac	16	EC254	Spring & Funnel Assembly (EC1503A Iron)
7	SW130	Switch 120 Vac	17	TC205	Sponge
8	SW230	Switch 240 Vac	18	EC266	Knob Replacement (Calibration)
9	FP3	Fuse 0.6A 120 Vac 1/4" D. x 1/4" L.			
10	N/A	Fuse 0.315A 240 Vac 5mm Dia. x 20 mm Lg.			

# EC1201A/P/PESD

40 Watt Soldering Tool [CLICK TO ORDER ONLINE](#)

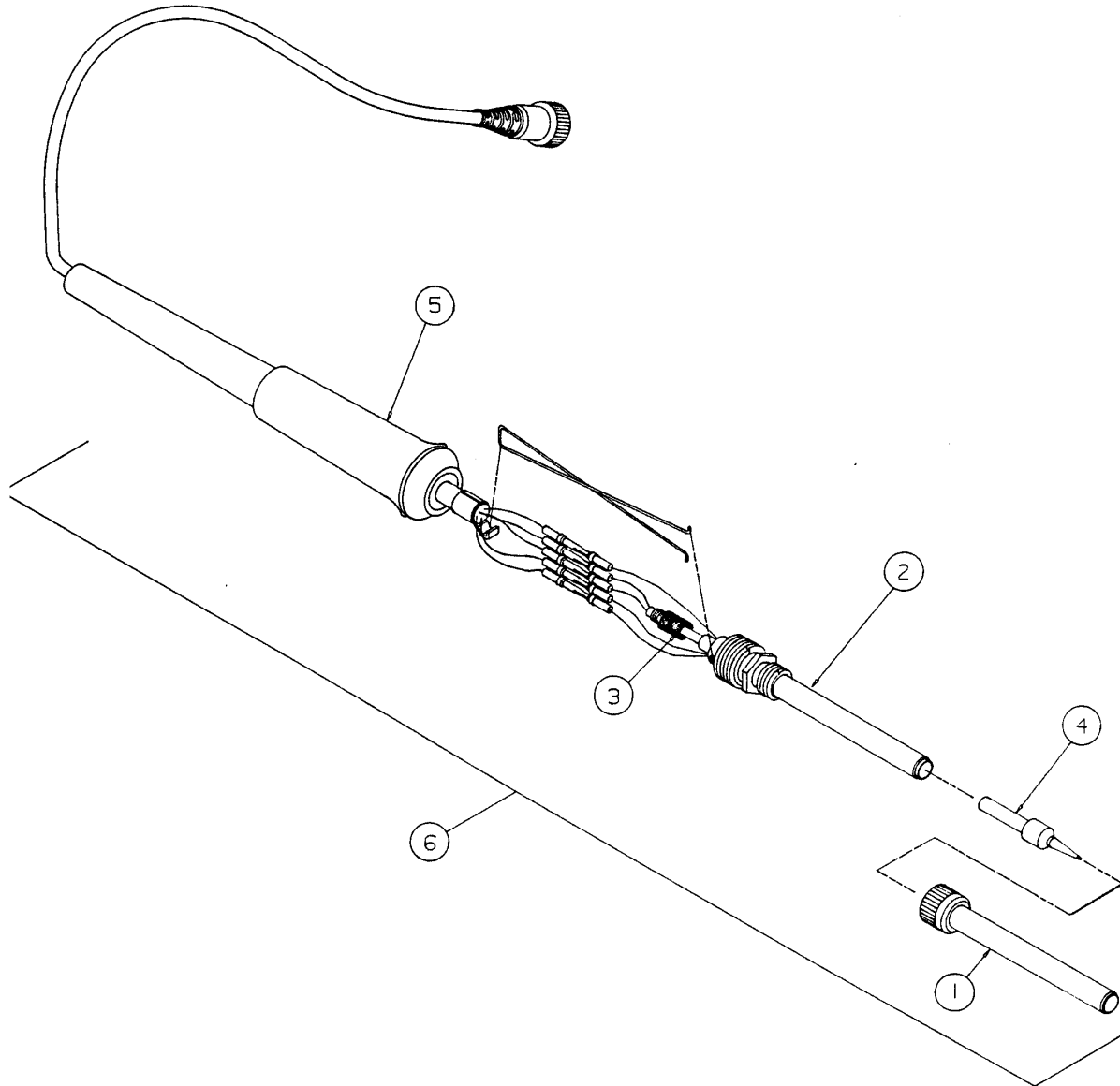


ITEM NO.	PART NO.	DESCRIPTION	ITEM NO.	PART NO.	DESCRIPTION
1	BA60	Barrel/ Nut Assembly			
2	EC234	Heater Assembly			
3	EC229A	Sensor Assembly W/ Spring			
4	SHA1	Cushion Grip Sleeve			
5	EC233	Cord Assembly			
6	EC258	Handle Assembly (W/O Sensor & Heater)			
7	EC1201A	Iron Assembly W/ ETA Tip			
8	ETA	1/16" Screwdriver Tip			

STANDARD SIZE HANDLE, MICRO HANDLE NEXT PAGE

# EC1301R

## 20 Watt Soldering Tool



ITEM NO.	PART NO.	DESCRIPTION	ITEM NO.	PART NO.	DESCRIPTION
1	EC231	Barrel/ Nut Assembly			
2	EC259	Heater Assembly			
3	EC260	Sensor Assembly W/ Spring			
4	EPH101	1/64" Micropoint Tip			
5	EC261	Cord/ Handle Assembly			
6	EC1301R	Iron Assembly W/ EPH101 Tip			