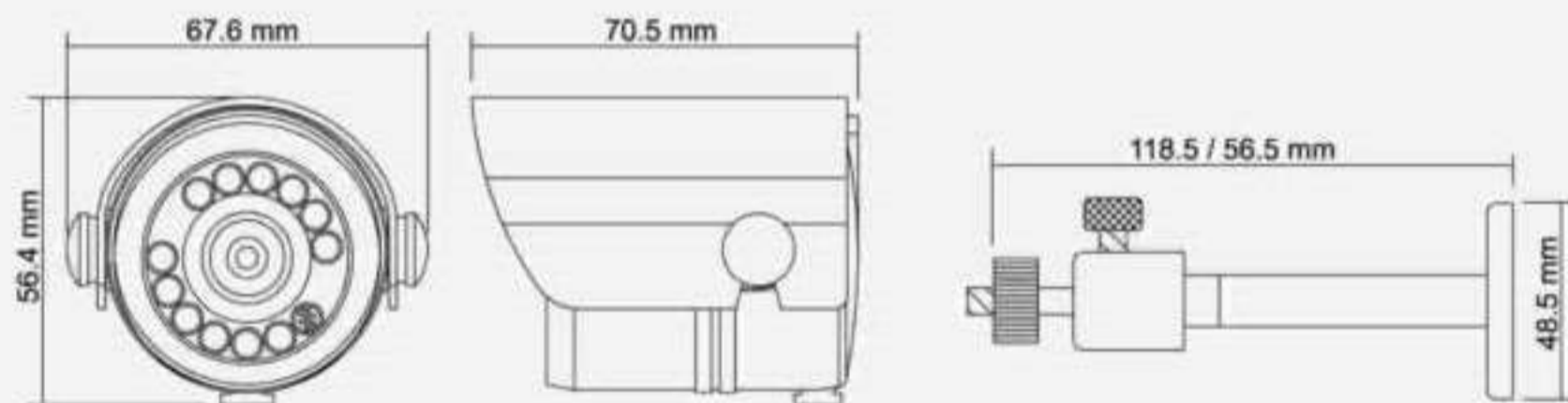


10M IR Camera

ARC-12B49 / 13B41 / 13B43

Features :

- Compact Size
- Built-in 12 pieces IR-LED
- Effective range up to 10 M
- Cds auto switching IR-LED control
- Waterproofing Criterion IP 67
- Outdoor and indoor applications



| Model No. | ARC-12B49 | ARC-13B41 | ARC-13B43 |
|--------------------------|--|---|---------------------------------|
| Image Device | 1/3" Color Sony Super HAD | 1/3" B/W Sony Super HAD | 1/3" B/W Sony Hi-Res. Super HAD |
| Picture Elements | NTSC:510x492, PAL:500x582 | EIA:510x492, CCIR:500x582 | EIA:768x494, CCIR:752x582 |
| Resolution | 380 TVL | 420 TVL | 600 TVL |
| Min. Illumination | 0.2 Lux / F2.0 | 0.1 Lux / F2.0 | 0.2 Lux / F2.0 |
| S/N Ratio | More than 48dB | | |
| Electronic Shutter | NTSC:1/60~1/100,000 PAL:1/50~1/110,000 | EIA:1/60~1/100,000 CCIR:1/50~1/110,000 | |
| Gamma | 0.45 | | |
| Lens Furnished | Board Lens 3.6mm / F2.0 (optional: 4.3/6.0/8.0/12mm) | | |
| White Balance | Auto | — | |
| Gain Control | Auto | | |
| Sync. System | Internal | | |
| Video Output | 1 Vp-p / 75 Ohms | | |
| Infrared Luminary | 12 pieces IR-LED, Life: 6000 hrs. | | |
| Wavelength | 850 nm | | |
| Beam Spread Angle | 35° | | |
| Illuminate Distance | 10 M | | |
| Illuminator Active Limit | 10 Lux | | |
| Waterproofing Criterion | IP 67 | | |
| Power Supply | DC 12V ± 10% | | |
| Power Consumption | 1.5 W (IR OFF), 3.5 W (IR ON) | 1.4 W (IR OFF), 3.4 W (IR ON) | |
| Operating Temp. | -10°C ~ 50°C | | |