



POWER STRIPS & PANEL RACKS

SURGE PROTECTED POWER STRIPS

Power strip with **Circuit Breaker**. Fire retardant plastic cover with **Six Grounded Outlets (7 Outlets on 7Ps)**. **Reset Button** and **4ft.(PS-PSPP-6P)** or **6ft.(PS-PSPP-6P6 & PS-PSPP-7P)** Power Cord. **3 MOV Full Surge Protection** and **EMI/RFI**. (PS-PSPP-7P only) Protect equipment from electrical spikes and power surges. **UL** and **CSA** Listed.

- Electrical Rating: 125 V, 15 A, 1875Watts
- Clamping Voltage: 400 V (500 V pm 7Ps)
- Current Peak: 4000 A
- Response Time: 7 ~ 12 nanoseconds
- Energy Absorption: 50/150 Joules
- Power Cord: 14 AWG, UL SJT



- PS-PSPP-7P** Plastic Casing, 7 Outlet Ports
- PS-PSPP-6P** Plastic Casing, 4ft. Cord
- PS-PSPP-6P6** Plastic Casing, 6ft. Cord

PS-PSPP-6PTL 6 Outlet Ports, Teal

Power strip with **Circuit Breaker**. **Enamel Metal** cover with **Six Grounded Outlets (5 on PS-PPAD-5P)**. **Reset Button** and **6ft Power Cord**. **3 MOV Full Surge Protection**, **Surge Protected Modem Jacks(PS-PERM-6P/M)**, **EMI/RFI Noise Filter** Protect equipment from electrical spikes and power surges. **UL** and **CSA** Listed.

- Electrical Rating: 125 V, 15 A, 1875Watts
- Clamping Voltage: 400 V (500 V on 5Ps)
- Current Peak: 4000 A (4500A on 5Ps)
- Response Time: 7 ~ 12 nanoseconds
- Energy Absorption: 50/150 Joules
- Power Cord: 14 AWG, UL SJT



PS-PERM-6P/M Enamel Metal Casing, Modem Jacks



PS-PPAD-5P 5 Ports, 5 Switches, Individual Control



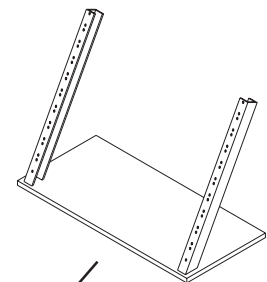
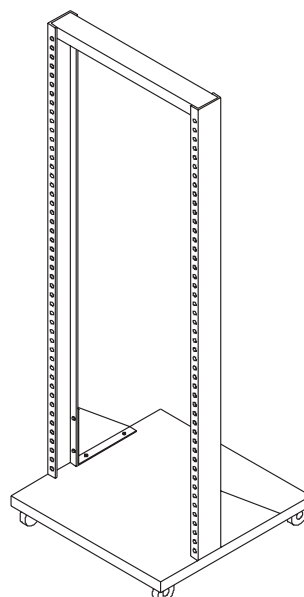
PS-PSPM-6P Enamel Metal Casing

LOADED PANELS

	High	Ports	Components Part No.	REMARK/NOTES
WPK-25HS/T-24	2U	24	DH-25HS/T	
WPK-B3191-16A	1U	16	BNC-3191	
WPK-B3191-16B	2U	16	BNC-3191	
WPK-B3191-24	2U	24	BNC-3191	
WPK-B3191-2X8	2U	16	BNC-3191	Duall Row 8 Ports Each Row
WPK-B3191-32	2U	32	BNC-3191	
WPK-B3192-16A	1U	16	BNC-3192	
WPK-B3192-16B	2U	16	BNC-3192	
WPK-B3192-24	2U	24	BNC-3192	
WPK-B3192-32	2U	32	BNC-3192	
WPK-B3193-16A	1U	16	BNC-3193	
WPK-B3193-24	2U	24	BNC-3193	
WPK-B3193-32	2U	32	BNC-3193	
WPK-J10218-32	2U	32	DC-1021-8C-BK	
WPK-LGC25FF16-B	2U	16	AD-LGC-25FF	
WPK-WANG-32	2U	32	BNC-3192/TNC-3461	

RACKS

WRP-RACK Grey Hammertone finish,
Mounting Rails Drilled & Tapped



WRP-RACK-TT

Table Top, Mounting Rails
Drilled & Tapped